



**KIT TO DISASSEMBLE/  
ASSEMBLE THE ZF TRAXON  
GEARBOX**

[jaltest.com](http://jaltest.com)



Rev. 01



**KIT TO DISASSEMBLE/  
ASSEMBLE THE ZF TRAXON  
GEARBOX**



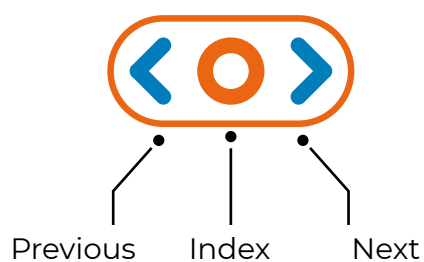
INNOVATION & TECHNOLOGY



# Index

Index	3
General information	4
1.1 ZF TRAXON GEARBOX	4
1.2 KIT DESCRIPTION	5
1.3 KIT TOOLS	7
Description of each part	9
2.1 COMPLETE KIT FOR ASSEMBLY AND DISASSEMBLY	9
2.2 11-BALL BEARING PULLER	10
2.3 TOOL TO SUPPORT AND POSITION THE GEARBOX	11
2.4 PROTECTION TOOLS	12
2.5 TOOL TO ASSEMBLE THE SEAL	13
2.6 TOOL TO DISASSEMBLE/ASSEMBLE THE PRIMARY SHAFT AND FORKS	14
2.7 TOOL TO DISASSEMBLE/ASSEMBLE THE PRIMARY SHAFT	15
2.8 KIT TO ASSEMBLE THE SYNCHRONISER RING (3 PIECES)	16
2.9 TOOL TO ASSEMBLE THE BRAKE PLUNGER	17
2.10 TOOLS TO POSITION THE OIL TUBES	18
2.11 PROTECTION TOOL	19
2.12 KIT TO ASSEMBLE THE SYNCHRONISER RING (6 PIECES)	20

## Easy document navigation



Faster access  
to any content  
you need by  
clicking



# 1 General information

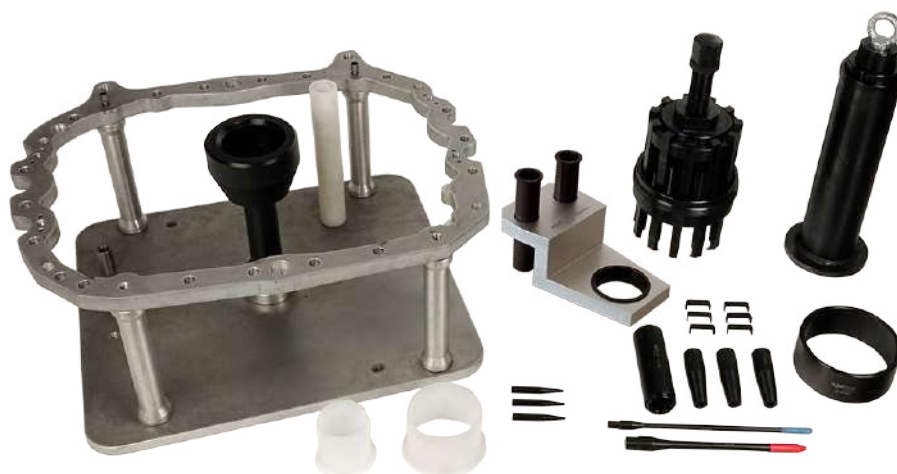
## 1.1 ZF TRAXON GEARBOX

It is an automatic gearbox from the manufacturer ZF, available both for 12 and 16 speeds.

From 2017, we can find this gearbox installed in numerous vehicles of several types, being worthy of mention buses and trucks from brands such as IVECO, DAF and MAN.



## 1.2 KIT DESCRIPTION



In case of malfunction, knocking noise, shavings in the oil, etc., it is necessary to check the mechanical part by disassembling the gearbox and assembling it again after being checked and repaired. To carry out these tasks with the safety and precaution required by the manufacturer in the shortest possible time, Jaltest Tools offers a set of special tools needed for this process.

This kit offers the possibility of expanding your business and showing a more professional look.

Besides, Jaltest offers a training course for workshops with further information on the complete operation of the ZF TraXon gearbox.

**Additionally, Cojali offers a wide range of transmission components that you can check out by [clicking here](#).**



ONLINE CATALOGUE





Learn with Jaltest University all you need to know about the ZF TraXon gearbox.















Discover the kit in this video



















## 1.3 KIT TOOLS

Tool	Reference	Name	Description	OEM
	50105173 <a href="#">web</a> 	COMPLETE KIT FOR ASSEMBLY AND DISASSEMBLY	Complete kit for assembly and disassembly	
	50105151 <a href="#">web</a> 	11-BALL BEARING PULLER	Tool designed to remove the 11-ball bearing of the main shaft in ZF gearboxes	1X56.138.295
	50105129 <a href="#">web</a> 	TOOL TO SUPPORT AND POSITION THE GEARBOX	Tool designed to fix the housing and components of the ZF TraXon gearbox before turning 180°	1X56.138.729
	50105159 <a href="#">web</a> 	PROTECTION TOOL	Tool designed to protect the cylinder and housing of the reducer assembly in ZF TraXon gearboxes	AA01.388.796
	50105160 <a href="#">web</a> 	PROTECTION TOOL	Tool designed to protect the cylinder and housing of the range group in ZF TraXon gearboxes	AA01.388.799
	50105158 <a href="#">web</a> 	TOOL TO ASSEMBLE THE SEAL	Tool designed to assemble the external seal of the range group, reducer assembly and main shaft of the ZF TraXon gearbox	1X56.138.744
	50105155 <a href="#">web</a> 	TOOL TO DISASSEMBLE/ ASSEMBLE THE PRIMARY SHAFT AND FORKS	Tool designed to assemble and disassemble the primary shaft and fork axles in ZF TraXon gearboxes	1X56.138.730



Tool	Reference	Name	Description	OEM
	50105152 <a href="#">web</a> 	TOOL TO DISASSEMBLE/ ASSEMBLE THE PRIMARY SHAFT	Tool designed to assemble and disassemble the primary shaft in ZF gearboxes	1X56.138.216
	50105154 <a href="#">web</a> 	KIT TO ASSEMBLE THE SYNCHRONISER RING (3 PIECES)	Tool designed to assemble the synchroniser ring of the splitter group in ZF gearboxes	1X56.138.081
	50105157 <a href="#">web</a> 	TOOL TO ASSEMBLE THE BRAKE PLUNGER	Tool designed to assemble the brake plunger in ZF TraXon gearboxes	1X56.138.737
	50105161 <a href="#">web</a> 	TOOL TO POSITION THE OIL TUBES	Tool designed to position the oil lines and place the clutch housing in ZF TraXon gearboxes	1X56.138.733
	50105162 <a href="#">web</a> 	TOOL TO POSITION THE OIL TUBES	Tool designed to position the oil lines and place the clutch housing in ZF TraXon gearboxes	1X56.138.734
	50105156 <a href="#">web</a> 	PROTECTION TOOL *3 units required	Tool designed to avoid damage on the actuator cylinder walls with the fork axles and to protect the seals during the assembly in ZF TraXon gearboxes	1X56.138.731
	50105153 <a href="#">web</a> 	KIT TO ASSEMBLE THE SYNCHRONISER RING (6 PIECES)	Tool designed to assemble the range synchroniser ring in ZF gearboxes	1X56.138.207

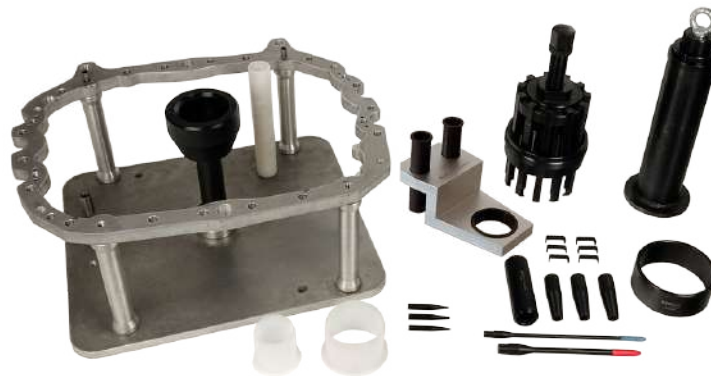


## 2 Description of each part

### 2.1 COMPLETE KIT FOR ASSEMBLY AND DISASSEMBLY

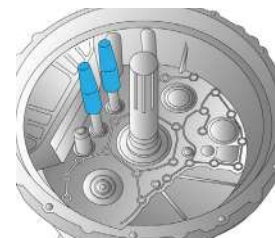
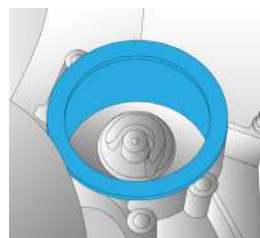
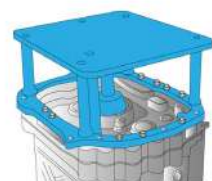
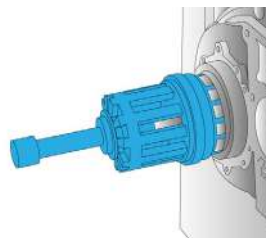
COJALI REF.: 50105173

web



#### Components:

- Pulling tools
- Assembly supports
- Protection tools
- Disassembly/assembly tools
- Insertion tools
- Positioning tools



## 2.2 11-BALL BEARING PULLER

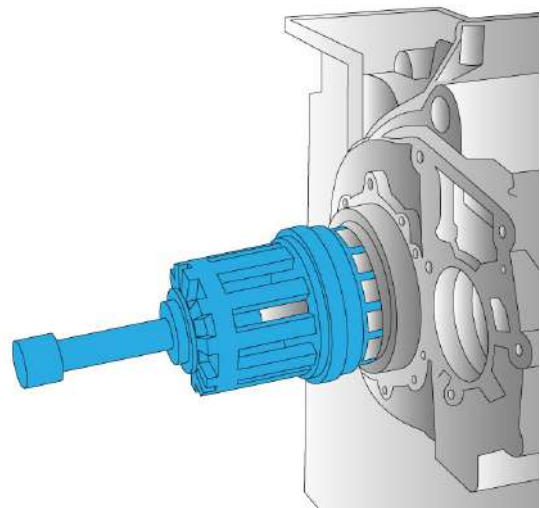
COJALI REF.: **50105151**  
OEM: **1X56.138.295**

web



### **Pulling tool:**

- Removal of the main shaft bearing to proceed with the housing disassembly.



## 2.3 TOOL TO SUPPORT AND POSITION THE GEARBOX

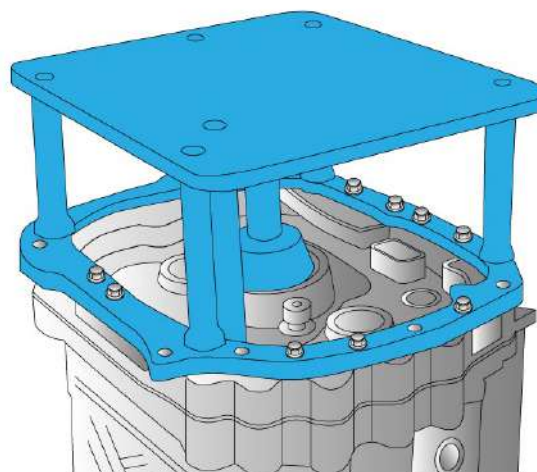
COJALI REF.: 50105129  
OEM: 1X56.138.729

web



### Disassembly/assembly support:

- Gripping and fixation of the gearbox and its components to turn 180°.



## 2.4 PROTECTION TOOL

COJALI REF.: **50105159**  
OEM: **AA01.388.796**

web

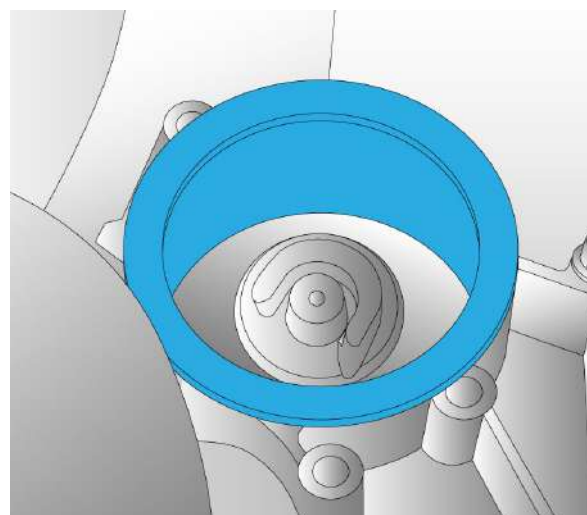
COJALI REF.: **50105160**  
OEM: **AA01.388.799**

web



### Protection tool:

- Protection for the cylinder and housing of the range group and reducer assembly during the disassembly and assembly.





## 2.5 TOOL TO ASSEMBLE THE SEAL

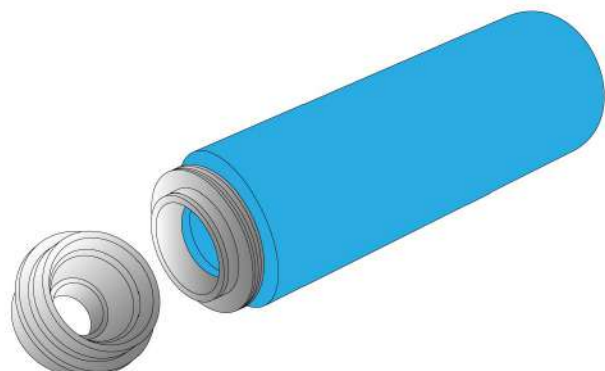
COJALI REF.: **50105158**  
OEM: **1X56.138.744**

web 



### Assembly tool:

- Proper assembly of external seals of range group, reducer assembly and main shaft during the pre-assembly of the base plate.





## 2.6 TOOL TO DISASSEMBLE/ASSEMBLE THE PRIMARY SHAFT AND FORKS

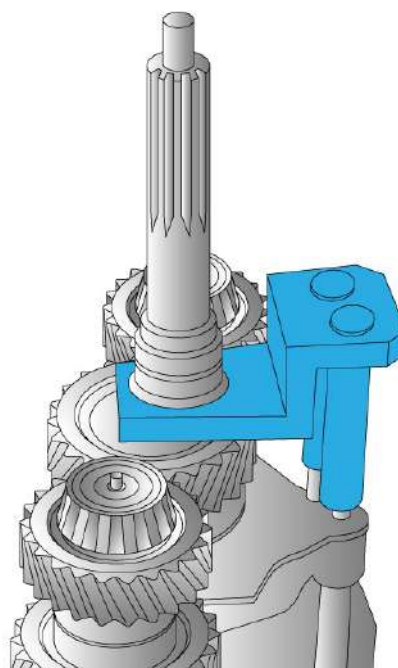
COJALI REF.: **50105155**  
OEM: **1X56.138.730**

web



### Fixation tool:

- Fixation of the primary shaft and fork shift axles during the disassembly and assembly.





## 2.7 TOOL TO DISASSEMBLE/ ASSEMBLE THE PRIMARY SHAFT

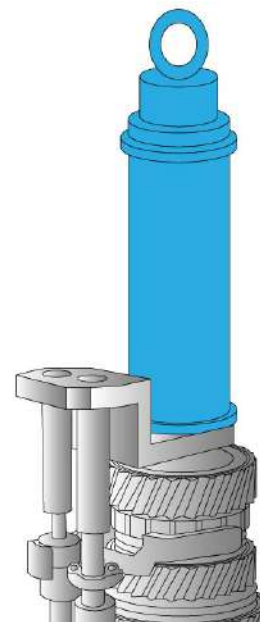
COJALI REF.: **50105152**  
OEM: **1X56.138.216**

web



### **Disassembly/ assembly tool:**

- Support for removing and installing the primary shaft before assembling the clutch housing.





## 2.8 KIT TO ASSEMBLE THE SYNCHRONISER RING (3 PIECES)

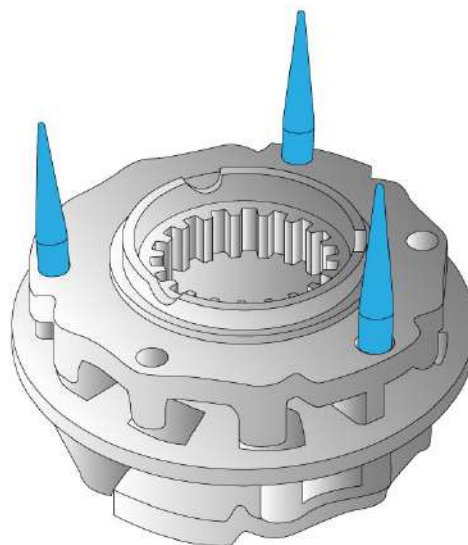
COJALI REF.: **50105154**  
OEM: **1X56.138.081**

web 



### Assembly pins:

- Assembly of the synchroniser ring of the splitter group.





## 2.9 TOOL TO ASSEMBLE THE BRAKE PLUNGER

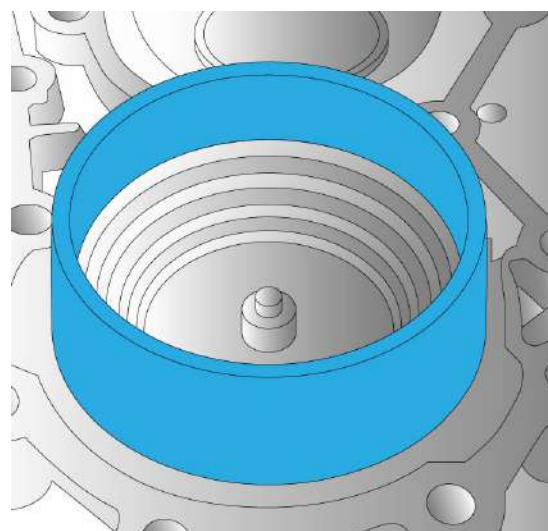
COJALI REF.: **50105157**  
OEM: **1X56.138.737**

web



### Assembly:

- Assembly of the brake plunger during the pre-assembly of the base plate.



## 2.10 TOOLS TO POSITION THE OIL TUBES

COJALI REF.: **50105161**  
OEM: **1X56.138.733**

web

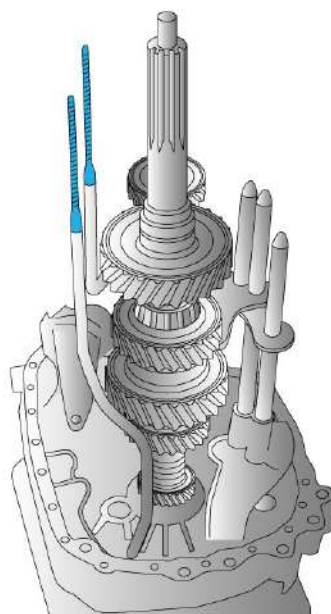


COJALI REF.: **50105162**  
OEM: **1X56.138.734**

web

### Positioning tool:

- Positioning and protection of the oil tubes during the assembly of the clutch housing.





## 2.11 PROTECTION TOOL

*\*3 units required*

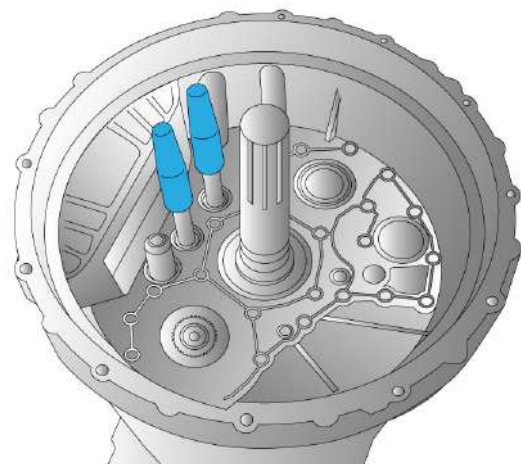
COJALI REF.: **50105156**  
OEM: **1X56.138.731**

web



### Protection tool:

- Protectors of the drive cylinder walls and their corresponding seals during the assembly of the clutch housing.
- \*3 units. One for each axle of the shift forks.



## 2.12 KIT TO ASSEMBLE THE SYNCHRONISER RING (6 PIECES)

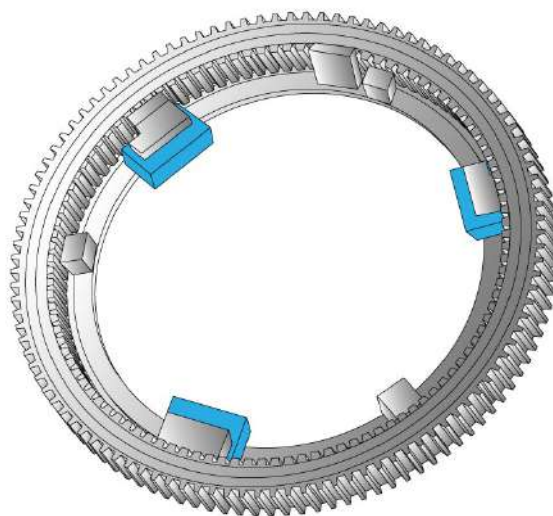
COJALI REF.: **50105153**  
OEM: **1X56.138.207**

web



### Assembly pins:

- Assembly of the synchroniser ring of the range.



# ●.cojali

Jaltest.com  
cojali.com

---

2022 V.1 EN



Local Distributor